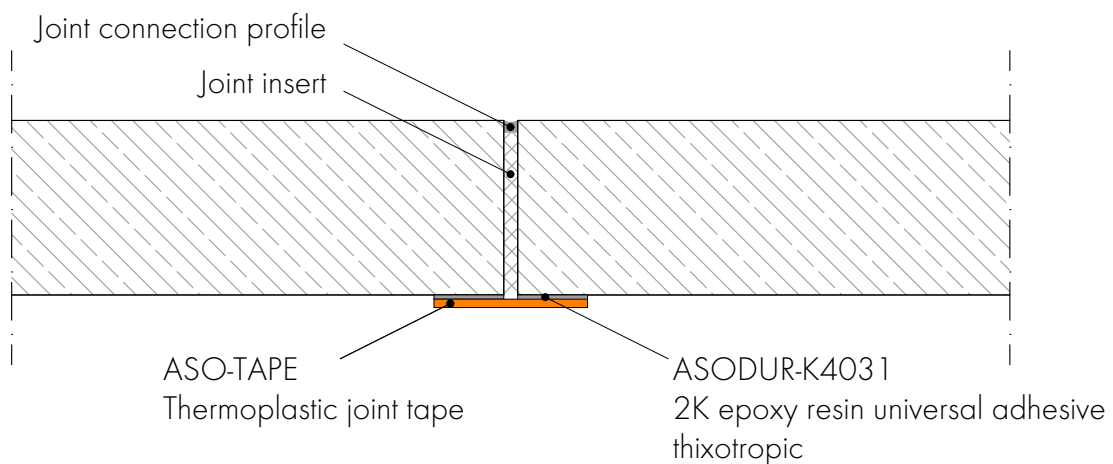


Thermoplastic joint tape
Expansion joint, wall
Retrospective execution



Overlap area ASO-TAPE / watertight concrete
>5cm up to 2bar and >20cm with water pressure 2 to 5bar